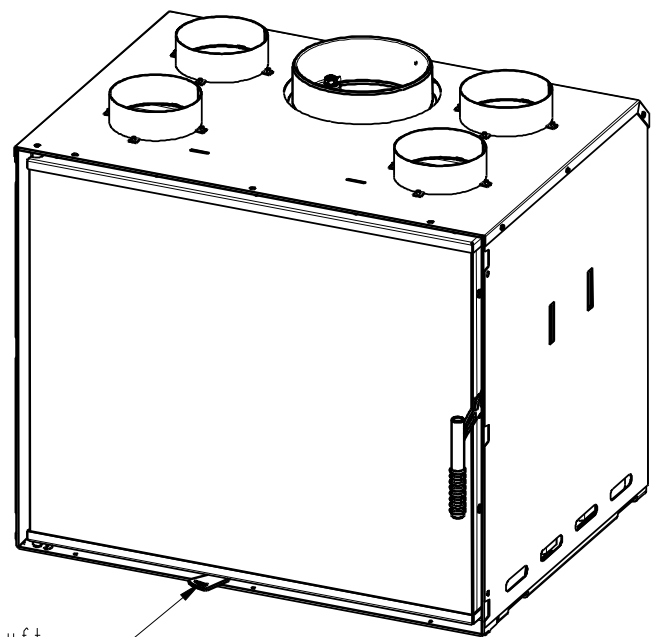
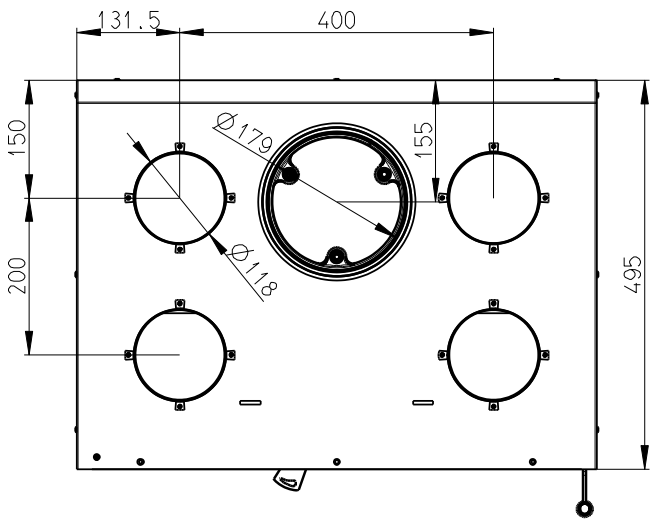
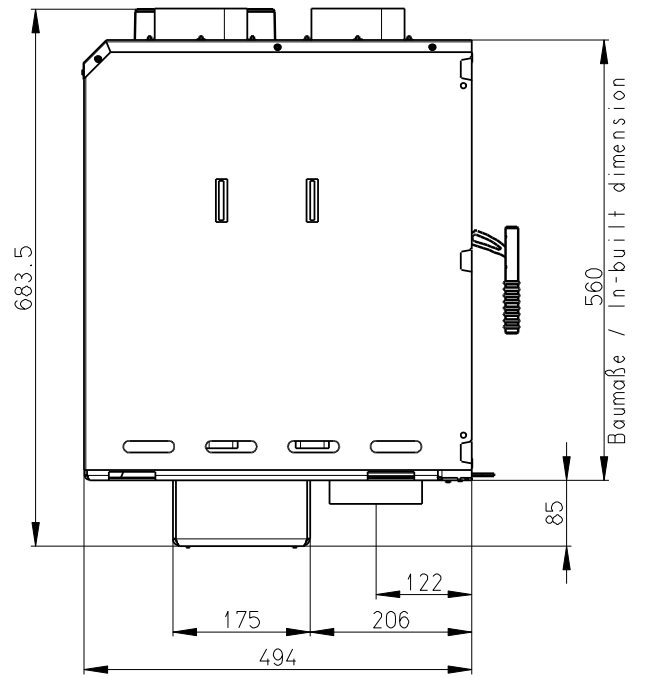
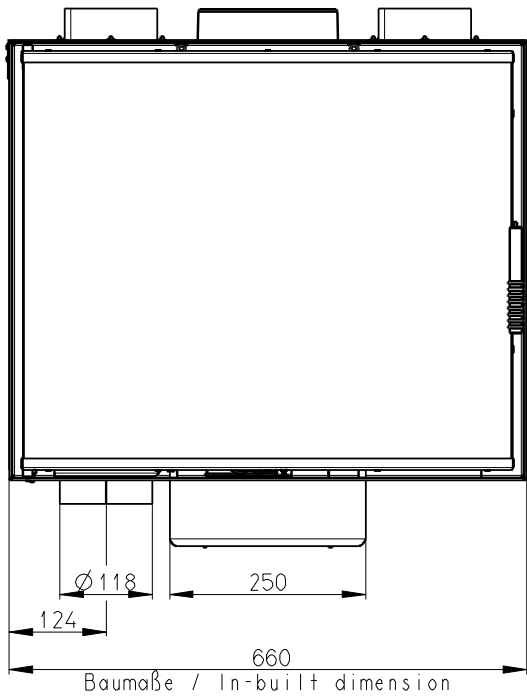


KV 6.6.2



Sekundär luft
Secondary air

Artikl	KV 6.6.2
--------	----------

General data

Nominal heat output	kW	8
Efficiency	%	78
Mass of the test fuel fired hourly	kg/h	2,5
Dry flue gases mass flow	g/s	7,1
Mean flue gas temperature	°C	284
Flue draught	Pa	12
Weight	kg	135
CO ₂	%	10,08

Recommended values

Reg.output	kW	4-12
Max. mass of the test fuel fired hourly	kg/h	4
Min. cross section of convect air inlet for nominal output	cm ²	950
Min. cross section of convect air outlet for nominal output	cm ²	1130
Combustion air requirement	m ³ /h	20,28
Flue gas connector diameter	mm	180

Meets requirement limit values for

EN 13 229	•
BImSch V 1	•
BImSch V 2	•
DIN plus	•
15a B-VG	-

Supplied accessories

Holder with magnet	•
Hook to open the ashtray	•
Ashtray	•