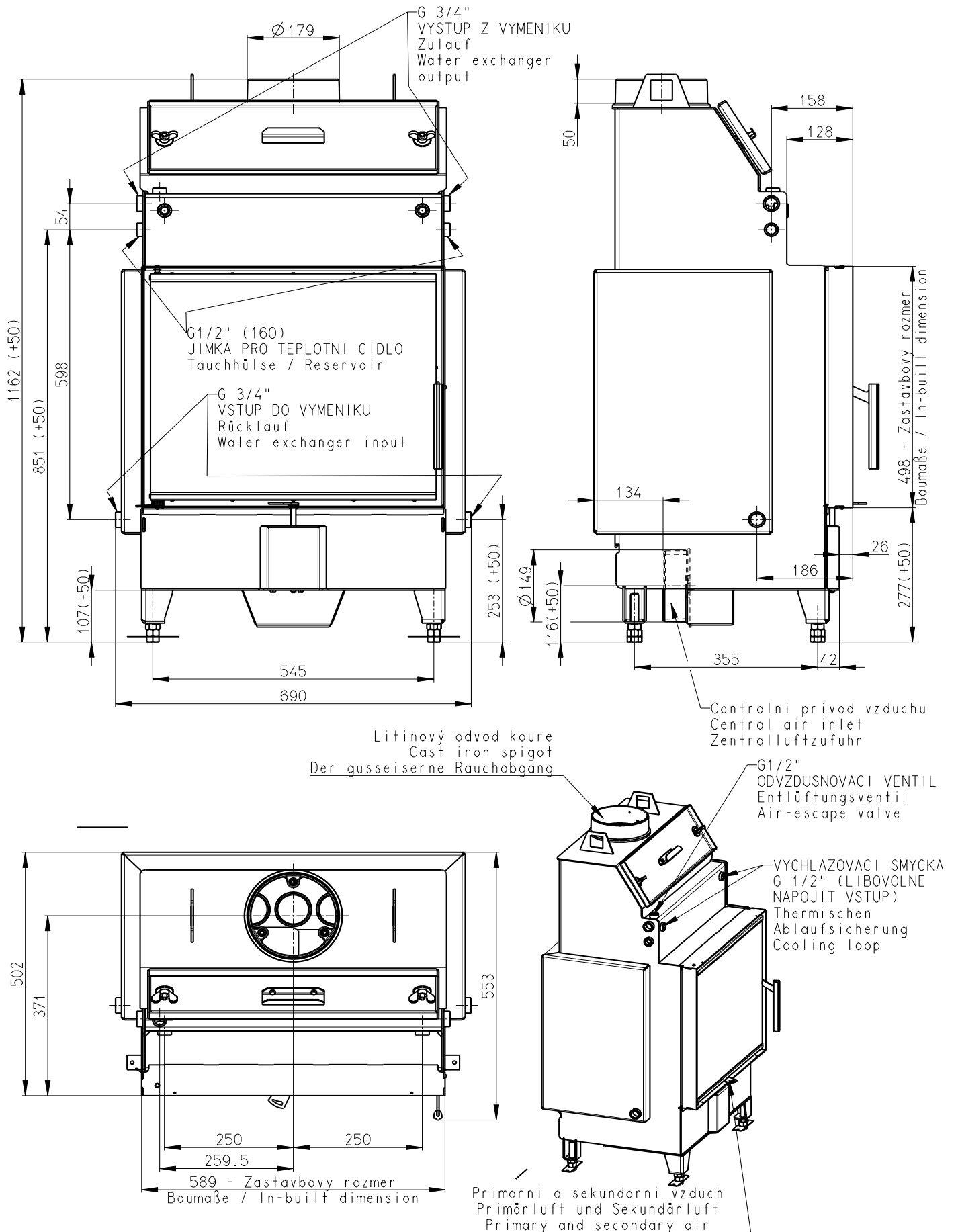


HEAT W 2G 59.50.01



Artikl	HW2N 01
--------	---------

General data

Nominal heat output	kW	13,0
Space heat output	kW	3,63
Water heat output	kW	9,37
Efficiency	%	86,77
Mass of the test fuel fired hourly	kg/h	3,5
Dry flue gases mass flow	g/s	9,4
Mean flue gas temperature	°C	191
Flue draught	Pa	10
Weight	kg	205
CO ₂	%	10,62

Recommended values

Reg.output na straně vody	kW	6,5 - 17
Max. mass of the test fuel fired hourly (max)	kg/h	5
Min. cross section of convect air inlet for nominal output	cm ²	400
Min. cross section of convect air outlet for nominal output	cm ²	460
Combustion air requirement	m ³ /h	27,54
Flue gas connector diameter	mm	180

Meets requirement limit values for

EN 13 229	•
BImSch V 1	•
BImSch V 2	•
DIN plus	•
15a B-VG	•

Supplied accessories

Holder with magnet	•
Hook to open the ashtray	•
Ashtray	•
Chimney brush	•
Automatic ventilation valve	•
Cooling loop	•
Cooling valve	-