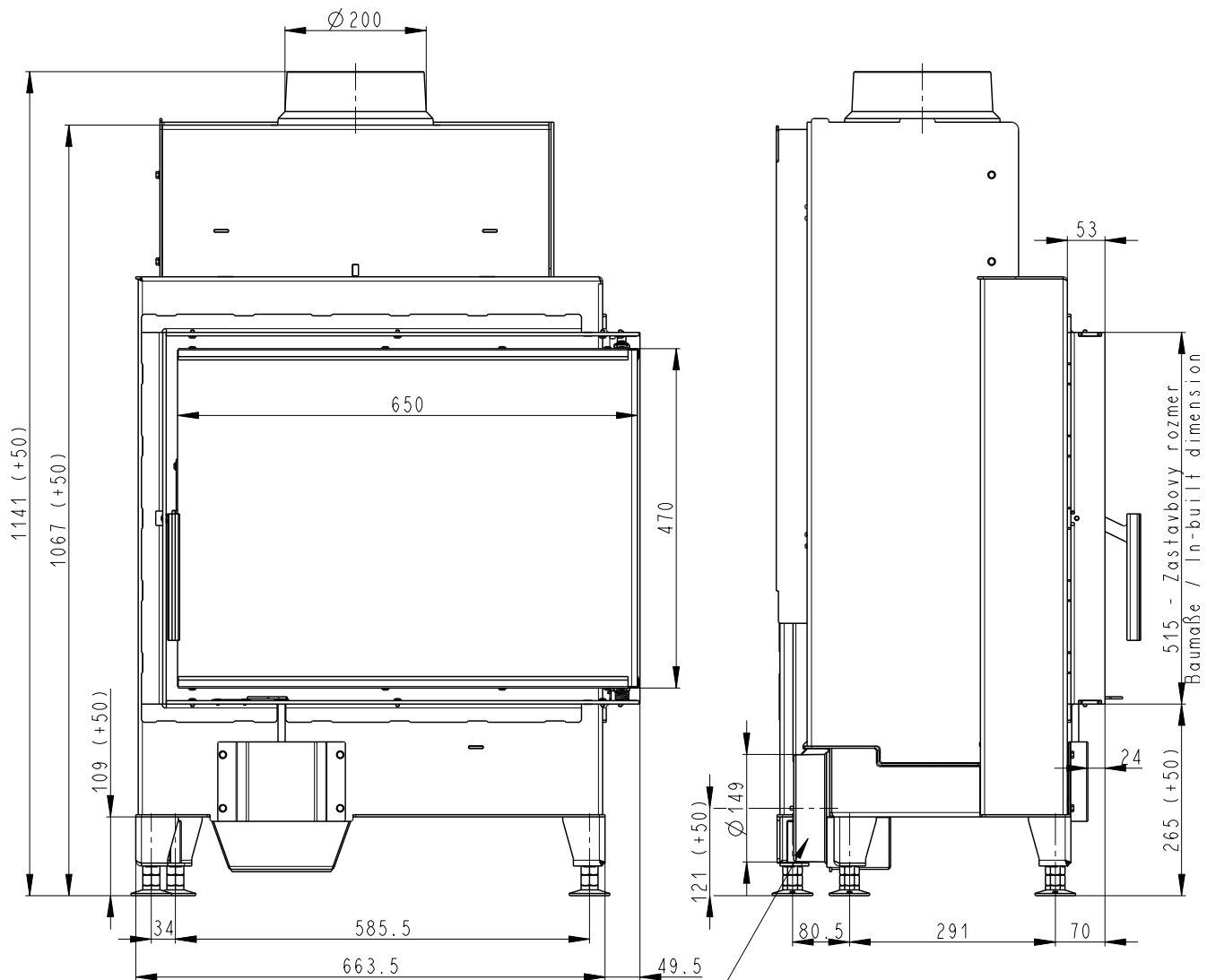
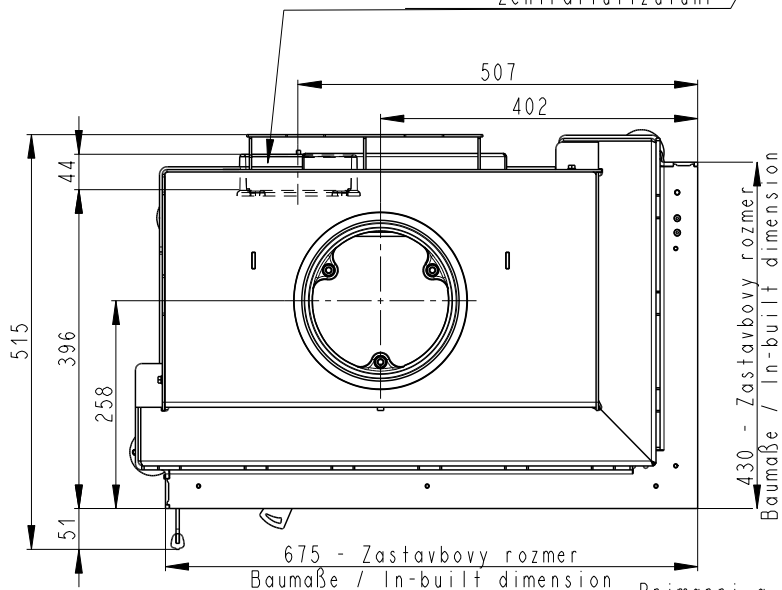


HEAT R 2g S 65.51.40.01

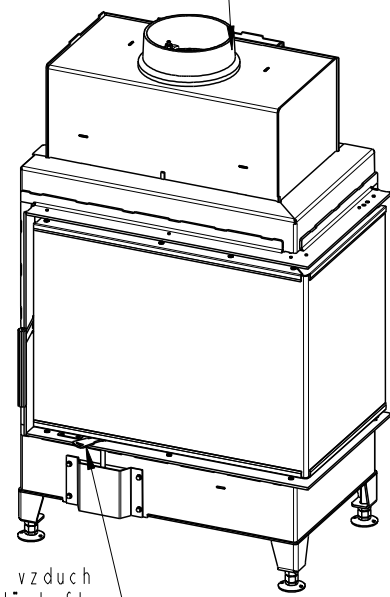


Centralni privod vzduchu
Central air inlet
Zentralluftzufuhr

Litiny odvod koure
Cast iron spigot
Der gusseiserne Rauchabgang



Primarni a sekundarni vzduch
Primärluft und Sekundärluft
Primary and secondary air



Artikl	HR2SG 01
--------	----------

General data

Nominal heat output	kW	6,9
Efficiency	%	84,85
Mass of the test fuel fired hourly	kg/h	1,92
Dry flue gases mass flow	g/s	3,60
Mean flue gas temperature	°C	242
Flue draught	Pa	12
Weight	kg	162
CO ₂	%	11,84

Recommended values

Reg.output	kW	3,5 - 9
Max. mass of the test fuel fired hourly	kg/h	3,4
Min. cross section of convect air inlet for nominal output	cm ²	880
Min. cross section of convect air outlet for nominal output	cm ²	1120
Combustion air requirement	m ³ /h	11,3
Flue gas connector diameter	mm	180 - 250

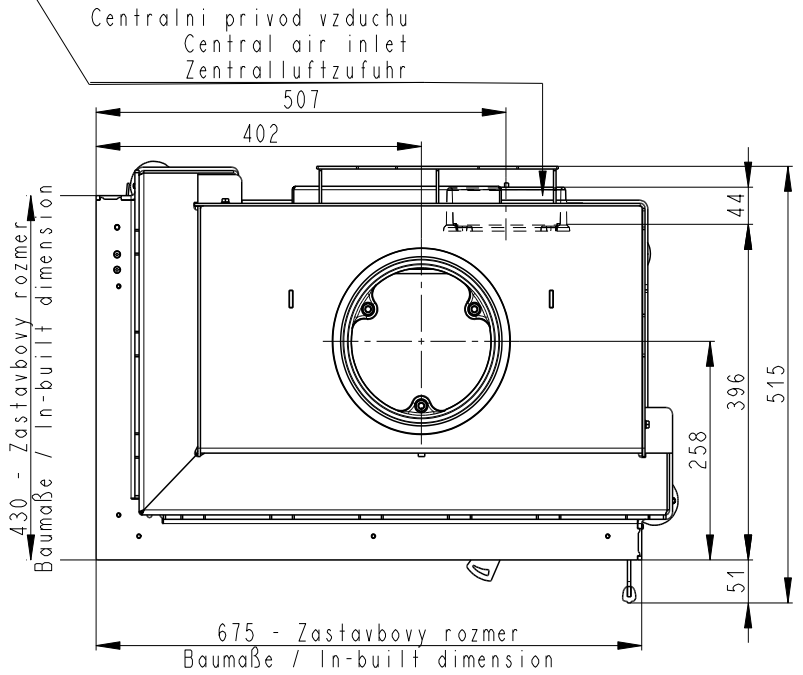
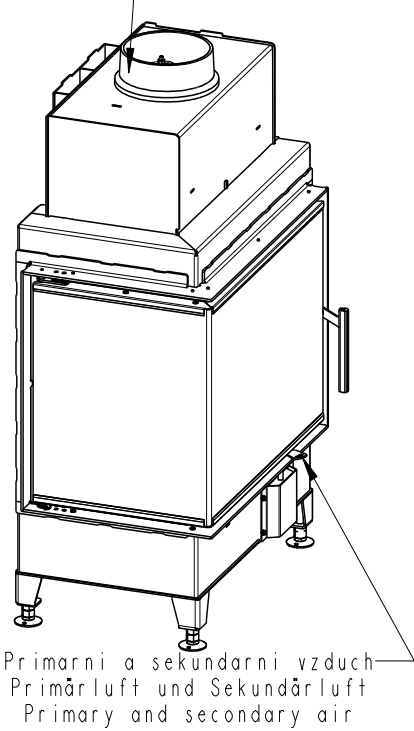
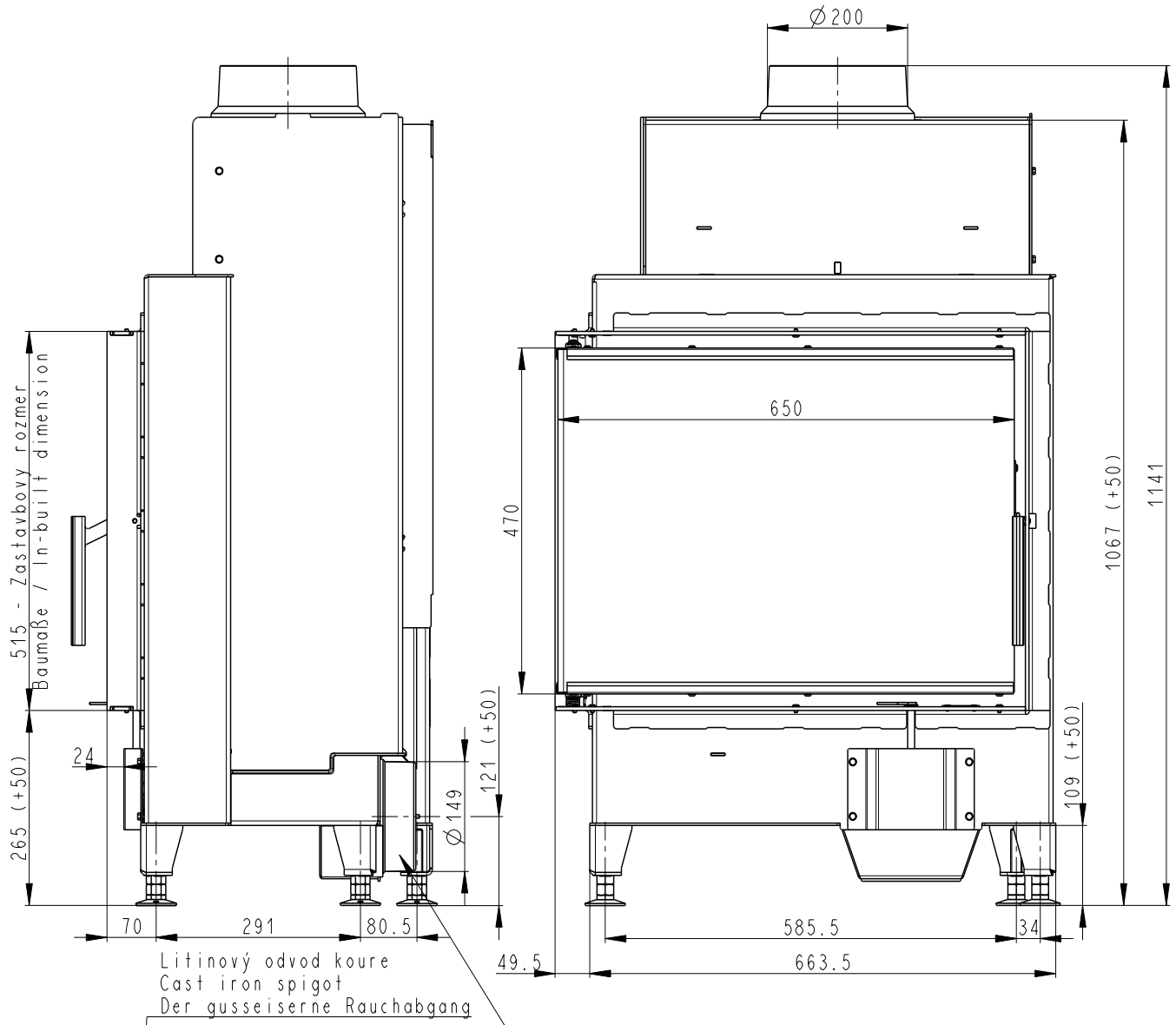
Meets requirement limit values for

EN 13 229	•
BImSch V 1	•
BImSch V 2	•
DIN plus	•
15a B-VG	•

Supplied accessories

Holder with magnet	•
Hook to open the ashtray	•
Ashtray	•

HEAT L 2g S 65.51.40.01



Artikl	HL2SG 01
--------	----------

General data

Nominal heat output	kW	6,9
Efficiency	%	84,85
Mass of the test fuel fired hourly	kg/h	1,92
Dry flue gases mass flow	g/s	3,60
Mean flue gas temperature	°C	242
Flue draught	Pa	12
Weight	kg	162
CO ₂	%	11,84

Recommended values

Reg.output	kW	3,5 - 9
Max. mass of the test fuel fired hourly	kg/h	3,4
Min. cross section of convect air inlet for nominal output	cm ²	880
Min. cross section of convect air outlet for nominal output	cm ²	1120
Combustion air requirement	m ³ /h	11,3
Flue gas connector diameter	mm	180 - 250

Meets requirement limit values for

EN 13 229	•
BImSch V 1	•
BImSch V 2	•
DIN plus	•
15a B-VG	•

Supplied accessories

Holder with magnet	•
Hook to open the ashtray	-
Ashtray	-