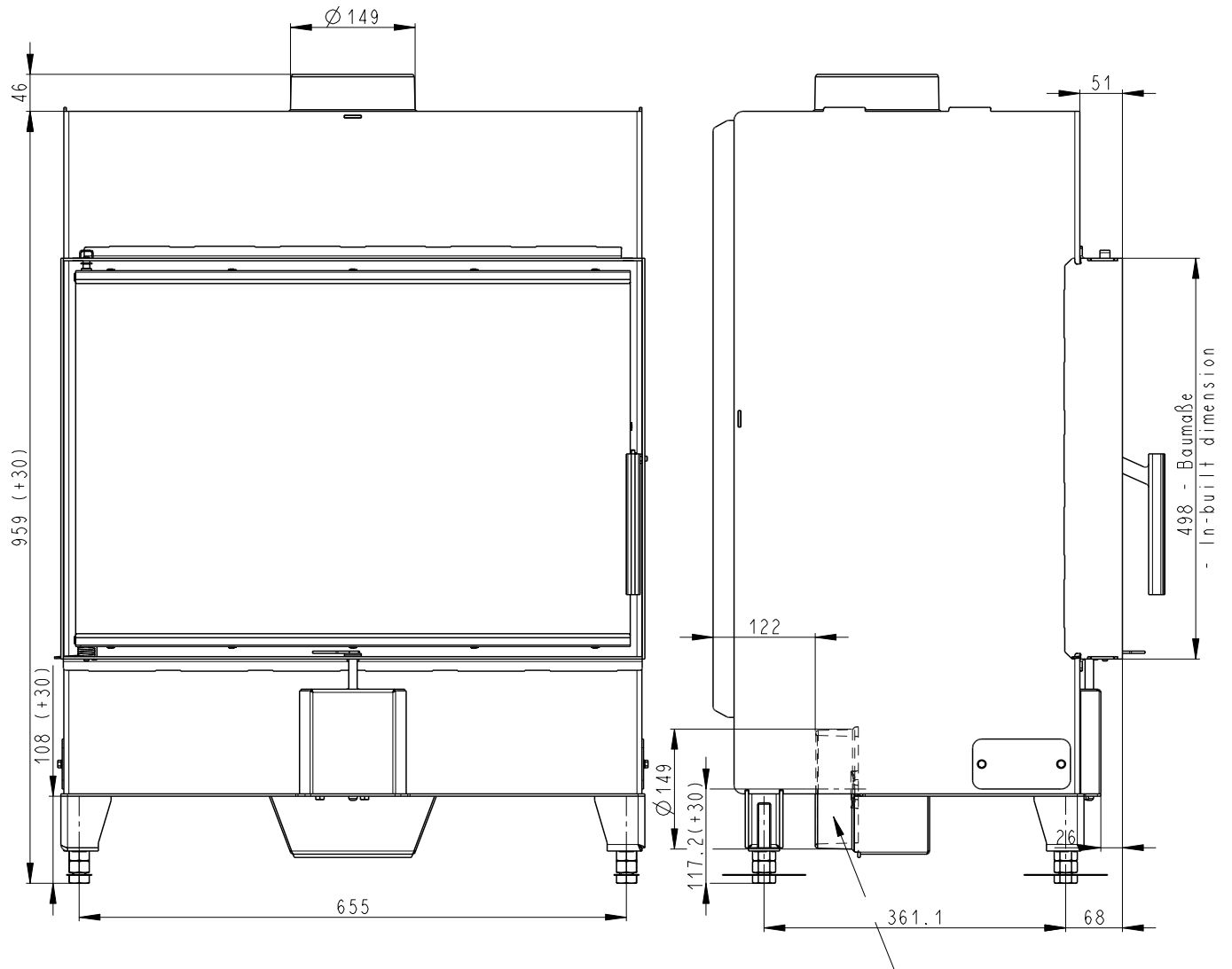
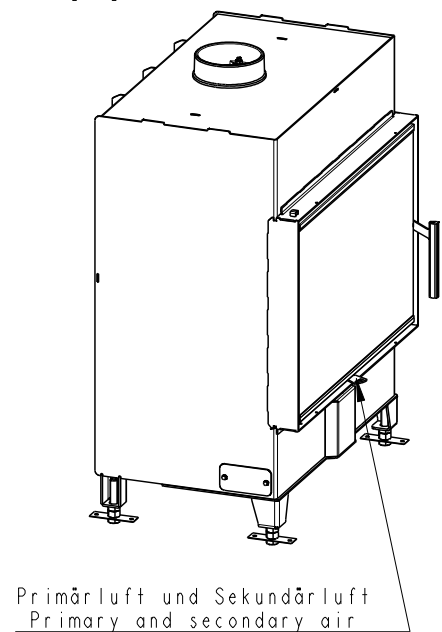
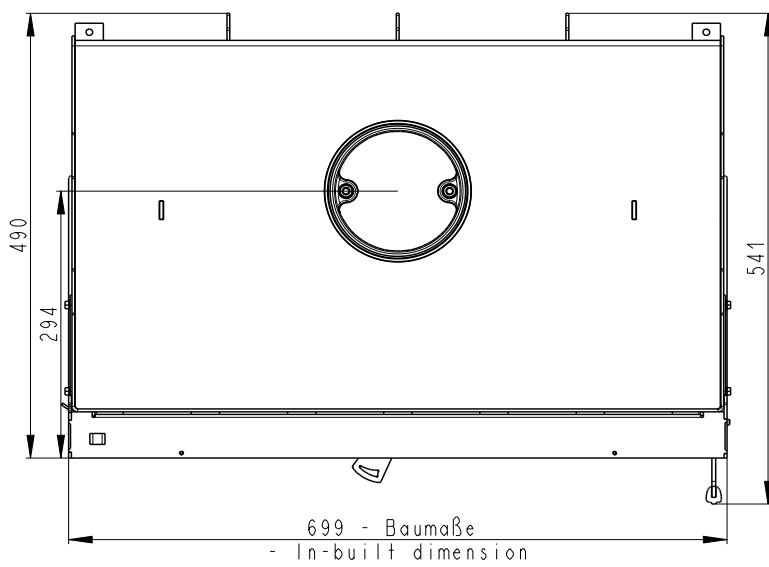


HEAT 2G 70.50.01



Cast iron spigot
Der gusseiserne Rauchabgang

Central air inlet
Zentralluftzufuhr



Primärluft und Sekundärluft
Primary and secondary air

Artikl	H2Z 01
--------	--------

General data

Nominal heat output	kW	9,3
Efficiency	%	80
Mass of the test fuel fired hourly	kg/h	2,7
Dry flue gases mass flow	g/s	8,1
Mean flue gas temperature	°C	265
Flue draught	Pa	12
Weight	kg	170
CO ₂	%	9,53

Recommended values

Reg.output	kW	4,5 – 12
Max. mass of the test fuel fired hourly	kg/h	4,5
Min. cross section of convect air inlet for nominal output	cm ²	880
Min. cross section of convect air outlet for nominal output	cm ²	1120
Combustion air requirement	m ³ /h	23,6
Flue gas connector diameter	mm	150

Meets requirement limit values for

EN 13 229	•
BImSch V 1	•
BImSch V 2	•
DIN plus	•
15a B-VG	•

Supplied accessories

Holder with magnet	•
Hook to open the ashtray	•
Ashtray	•